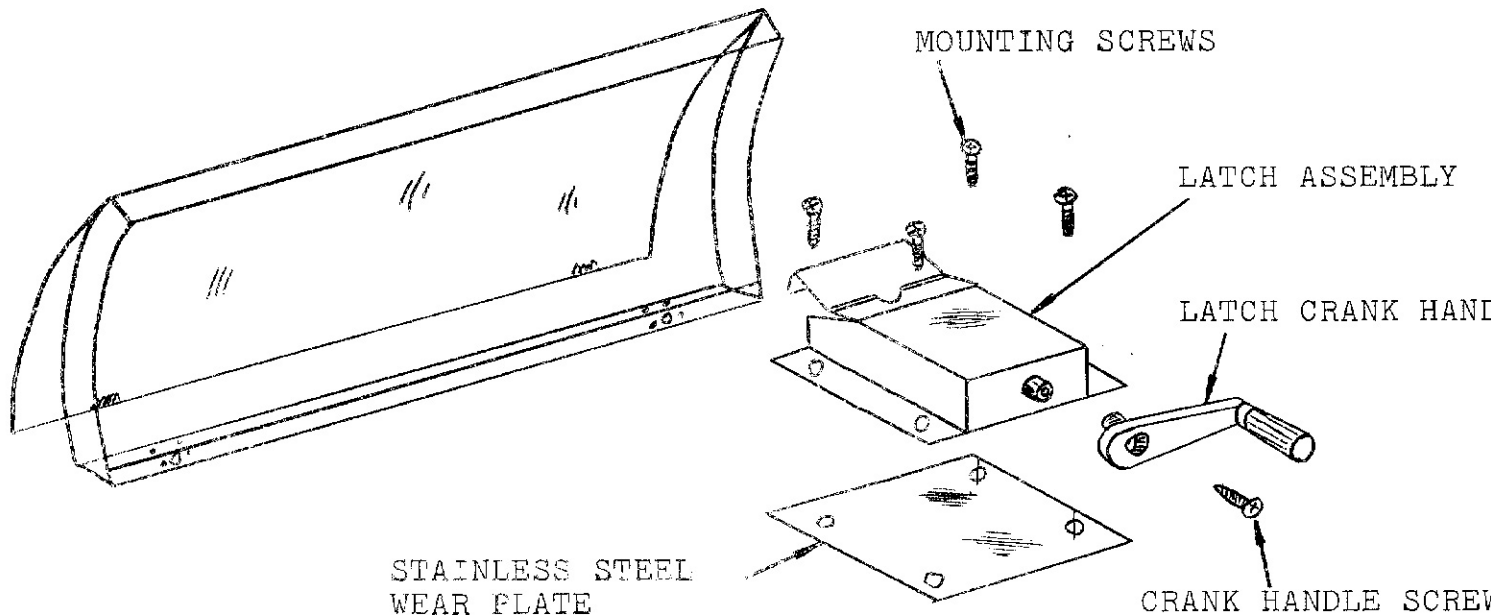


January 24, 1967

PHILIPS INDUSTRIES INC.  
INSTRUCTIONS FOR  
REMOVING WINDOW LATCH ASSEMBLIES

TOOLS NEEDED: PHILLIPS SCREW DRIVER

1. OPEN WINDOW FULLY THEN,
2. TURN LATCH CRANK HANDLE COUNTERCLOCKWISE UNTIL IT STOPS.
3. REMOVE LATCH CRANK HANDLE BY REMOVING THE CRANK HANDLE SCREW.
4. REMOVE (4) MTG. SCREWS ON LATCH HOUSING.
5. LIFT LATCH HOUSING FROM WINDOW SILL.
6. RETAIN STAINLESS STEEL WEAR PLATE FOR INSTALLATION OF REPLACEMENT LATCH ASSEMBLY.



INSTALLING REPLACEMENT LATCH ASSEMBLIES

1. TURN LATCH CRANK HANDLE COUNTERCLOCKWISE UNTIL IT STOPS.
2. REMOVE LATCH CRANK HANDLE BY REMOVING CRANK HANDLE SCREW.
3. PLACE STAINLESS STEEL WEAR PLATE ON WINDOW SILL LINING UP FOUR HOLES WITH HOLES IN WINDOW SILL.
4. PLACE LATCH ASSEMBLY OVER STAINLESS STEEL WEAR PLATE LINING UP FOUR HOLES WITH HOLES IN BACKING PLATE AND SILL.
5. ATTACH COMPLETE ASSEMBLY TO WINDOW SILL WITH FOUR MTG. SCREWS.
6. INSTALL LATCH CRANK HANDLE.

IF ADDITIONAL INFORMATION IS NEEDED CONTACT:

PHILIPS INDUSTRIES INC.  
4509 SPRINGFIELD ST.  
DAYTON, OHIO  
(513)-254-2621