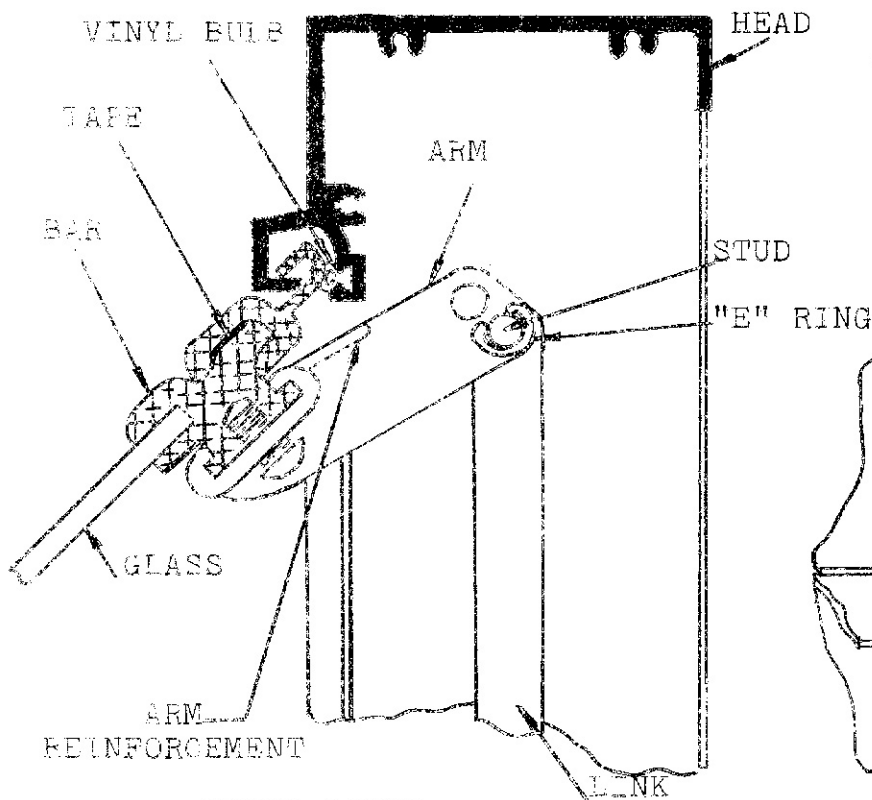


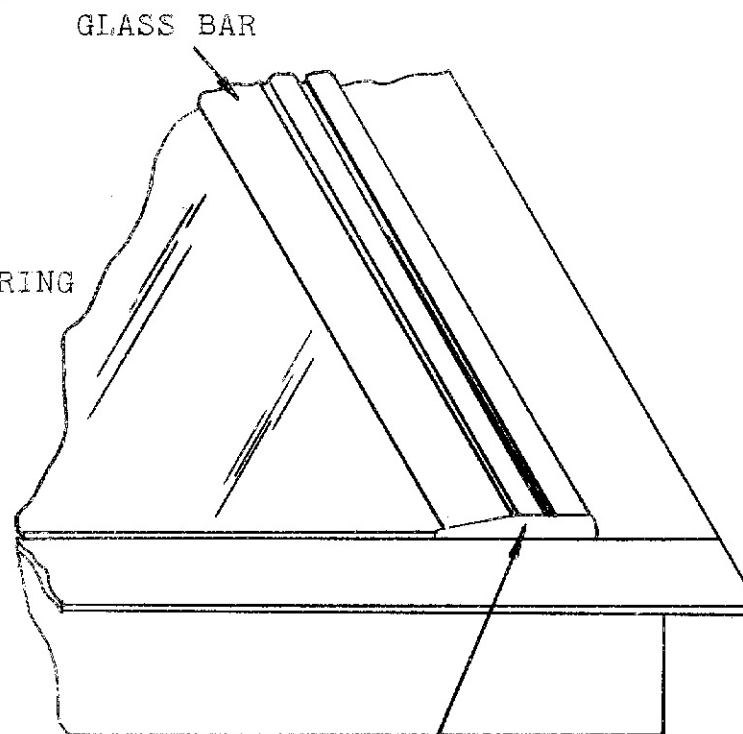
To install new glass:

1. Be sure the glass is centered in the glass bar. The bar should extend about 1/8 inch beyond the glass on both sides.
2. Lubricate the rubber seal as described under Maintenance, making sure to lubricate the rubber under the head section with a brush.
3. Lubricate the hinge of the glass bar, using the same lubricant used on the rubber.
4. Reverse the removal procedure outlined above. CAUTION; do not force the glass closed; the hinge sections will be bent and the window will not function properly. When the hinge is hooked properly the glass will swing closed of its own weight.
5. Check the clearances between the sill, keeper, and latches.
6. Place the stud in the hole of the arm farthest from the glass.
7. After installation is complete, latch the window and fill the opening beside the glass and under the glass bar with RTV 732 (Dow-Corning Silastic sealant) using a hand caulking gun. Fill until the sealant can be seen flush with the glass bar. (Fig. 17-B)
8. Do not open the window for at least 24 hours.

PHILIPS INDUSTRIES INC.  
GLASS REPLACEMENT DIAGRAMS



HINGE ASS'Y  
FIGURE 17 A



WEATHER CAP  
FIGURE 17 B